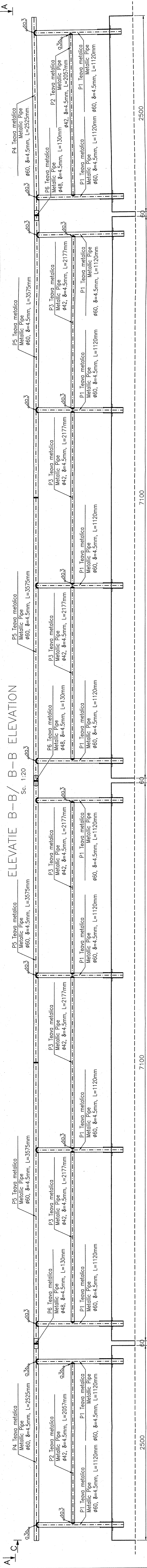
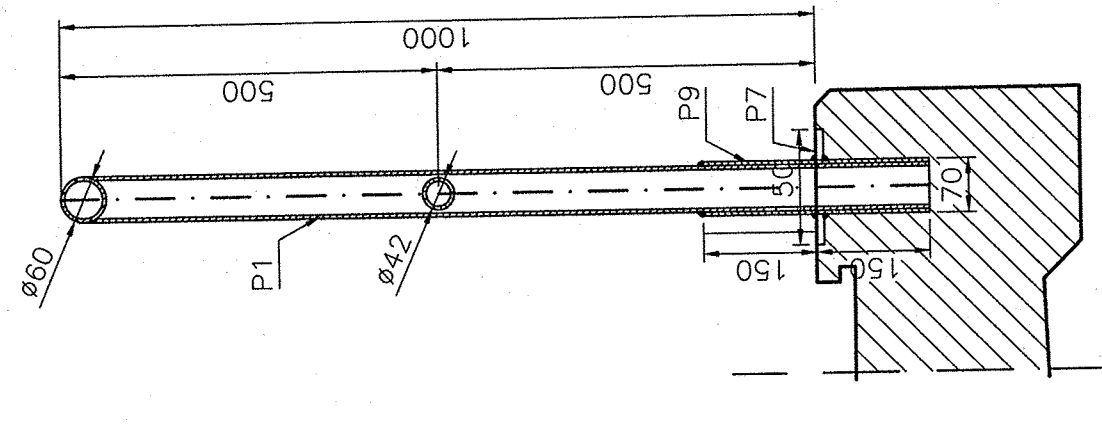
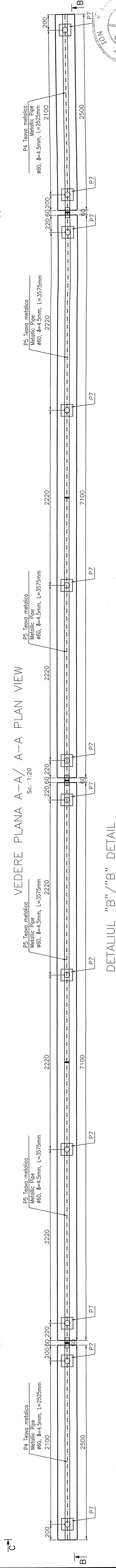


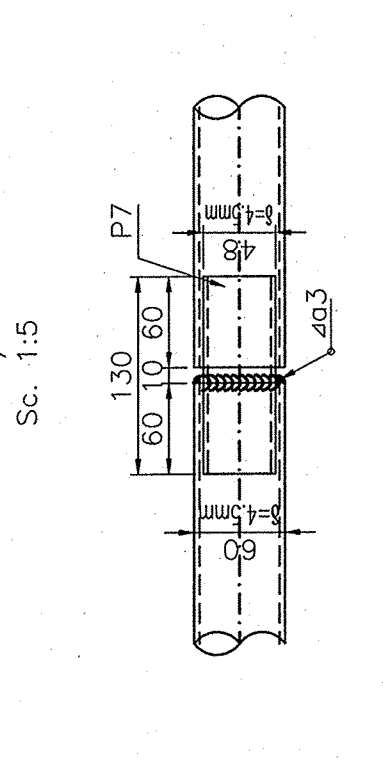
SECTIUNE C-C
C-C SECTION
Sc. 1:10



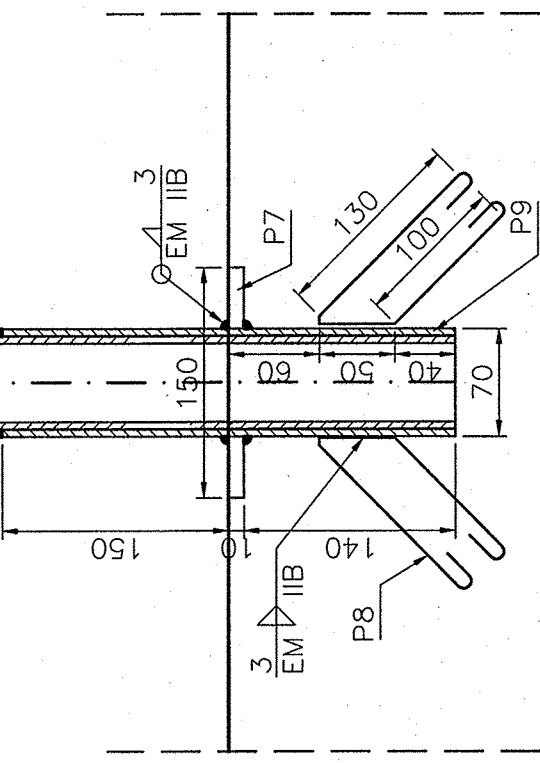
VEDERE PLANA A-A / A-A PLAN VIEW
Sc. 1:20



DETALIUL "A"/"A" DETAIL
Sc. 1:5



DETALIUL "B"/"B" DETAIL
Sc. 1:5



Sistemul de protecție anticoroziv se compune din 3 straturi, conform Căteului de Sarcini:
 - stratul primar sau grundul (min. 50×10^{-3} mm)
 - stratul intermediar (min. 50×10^{-3} mm)
 - stratul de finisare (min. 75×10^{-3} mm).
 The protection system is composed by 3 layers, in accordance to the Technical Specifications:
 - primary layer or the flat coat (min. 50×10^{-3} mm)
 - intermediary layer (min. 50×10^{-3} mm)
 - finishing layer (min. 75×10^{-3} mm).

(P9) Teava pahar pentru pozarea stîlpilor S255 $\phi 70 \times 4.5$ mm, L=300mm, buc./2x12
 Bowl pipe for poles laying S255 $\phi 70 \times 4.5$ mm, L=300mm, pcs./2x12
 (P8) Ancora/Anchor S255 $\phi 10$ L=400mm 4 buc./stolp /4 pcs./pole
 (P7) Placuta/Band 150x10-150 2x12 buc./2x12 pcs

EXTRAS DE MATERIAL METALIC
METALLIC MATERIAL TABLE

Pozitia Position	Denumire/Denomination	Nr. Buc. Pcs. Nr.	Dimensiuni Dimension (mm)	Lungime Length (m)	Greutate/Weight	
					Kg/ml	kg/buc
P1	Teava metalica/Metallic pipe	24	$\phi 60 \times 4.5$	1.120	6.16	165.64
P2	Teava metalica/Metallic pipe	4	$\phi 42 \times 4.5$	2.057	4.16	34.23
P3	Teava metalica/Metallic pipe	12	$\phi 42 \times 4.5$	2.177	4.16	108.69
P4	Teava metalica/Metallic pipe	4	$\phi 60 \times 4.5$	2.525	6.16	62.24
P5	Teava metalica/Metallic pipe	8	$\phi 60 \times 4.5$	3.575	6.16	176.24
P6	Teava metalica/Metallic pipe	6	$\phi 48 \times 4.5$	0.130	4.83	3.77
Greutate tip otel / Weight for type of steel (KG)					550.81	
3% Sudutura / Welding (KG)					16.52	
Greutate tip otel / Weight for type of steel (KG)					567.33	
Greutate totala material metalic / Total weight for metallic material (KG)					570.00	



prontec CONSULTING

Beneficiary: ROMANIAN RAILWAY NATIONAL COMPANY
 Beneficiary: ROMANIAN RAILWAY NATIONAL COMPANY
 Beneficiary: ROMANIAN RAILWAY NATIONAL COMPANY

Contract/Contract: CONTRACTING AUTHORITY
 Contract/Contract: CONTRACTING AUTHORITY
 Contract/Contract: CONTRACTING AUTHORITY

Project: POS Transport 2007-2013
 Project: POS Transport 2007-2013
 Project: POS Transport 2007-2013

Ministry of Economy and Finance
 Ministry of Economy and Finance
 Ministry of Economy and Finance

Ministry of Transport
 Ministry of Transport
 Ministry of Transport

Ing. Cosmin Corescu
 Ing. Ioan Dachin
 Ing. Stefan Vasa-Oros

Date / Date: 06.2009
 Date / Date: 06.2009
 Date / Date: 06.2009

Scale: 1:20
 Scale: 1:20
 Scale: 1:20

FORTELOUL DE PROIECTARE PHARE GES 2002 / PHARE GES 2002 PROJECT'S PORTFOLIO
 FORTELOUL DE PROIECTARE PHARE GES 2002 / PHARE GES 2002 PROJECT'S PORTFOLIO
 FORTELOUL DE PROIECTARE PHARE GES 2002 / PHARE GES 2002 PROJECT'S PORTFOLIO

Asistență tehnică pentru pregătirea unor lucrări de reabilitare pentru tuneluri și poduri de cale ferată
 Technical assistance for preparing rehabilitation works required by railway tunnels and bridges
 Technical assistance for preparing rehabilitation works required by railway tunnels and bridges

Denunț de proiect / Drawing Title: Sistemul de protecție anticoroziv pentru stâlpii de cale ferată
 Drawing Title: Sistemul de protecție anticoroziv pentru stâlpii de cale ferată
 Drawing Title: Sistemul de protecție anticoroziv pentru stâlpii de cale ferată

Source: RCF Railway distict EUROPEAN UNION of Railway line Buzănești - Văleni
 Source: RCF Railway distict EUROPEAN UNION of Railway line Buzănești - Văleni
 Source: RCF Railway distict EUROPEAN UNION of Railway line Buzănești - Văleni

PLAN PARȘIE METALICĂ/METALLIC HANDRAIL PLAN
 PLAN PARȘIE METALICĂ/METALLIC HANDRAIL PLAN
 PLAN PARȘIE METALICĂ/METALLIC HANDRAIL PLAN